



CITY OF ROSWELL
 DEPARTMENT OF PUBLIC WORKS
 BACKFLOW – PREVENTION
 “A community – environmental
 Health protection program”

MINIMUM CONTAINMENT PROTECTION REQUIREMENT
NEW CONSTRUCTION AND RETROFIT INSTALLATION
 (Non-hazardous)

SERVICE METER SIZES: 3- inch and larger

DOUBLE CHECK VALVE (DCV) BACKFLOW PREVENTER (BFP)

SPECIFICATION: The CUSTOMER/OWNER shall furnish and have installed a **Double Check Valve (DCV) Backflow Preventer (BFP) Assembly** in a size to match that of the required service piping. The DCV-BFP assembly shall be provided with a flanged resilient-seat OS&Y gate valve near the inlet and outlet sides of the device. The DCV device shall have three brass ball valve test cocks fitted with **brass or plastic threaded plugs**. A fourth test cock shall be provided on the **upstream** side of the inlet shut-off valve. The DCV device and shut-off valve bodies shall be equivalent to cast iron, coated inside and out, with **FDA-approved fused epoxy coating**; and assembled with bolts that are resistant to electrolysis. All DCV devices interior/exterior components of the assembly shall be of materials equal in corrosion resistance to bronze and/or stainless steel, to resist electrolysis. Access to both checking devices shall be by top-entry only, for maintenance and repair of all interior parts, and shall have replaceable seats.

NOTE: The DCV-BFP assembly shall be certified by a nationally recognized testing laboratory in accordance with ASSE Standard 1015 and bears the AASSE seal. The DCV-BFP assembly shall have current approval from the University of Southern California, Foundation for Cross-Connections Control (USC-FCCC). The DCV-BFP **Assembly** shall be individually factory **tested, shipped, and installed as a unit**.

INSTALLATIONS INSTRUCTIONS: The DCV-BFP assembly shall not be buried in earth but installed below ground in a Concrete Vault adjacent to, and as close as practical to, the downstream side of the meter installation; or with prior approval in the meter vault.

NOTE: Under **NO** condition will a bypass or any intervening connection be allowed between the meter installation and the DCV-BFP assembly.

ASSEMBLY TESTING: A DCV-BFP assemblies shall be tested at time of installation and at least ANNUALLY thereafter. A copy of all test and maintenance reports must be submitted to:

City of Roswell
 DEPARTMENT OF PUBLIC WORKS
 Backflow-Prevention Unit

Test forms and Certified Tester list may be obtained through the Department of Public Works by calling (770)641-3715.

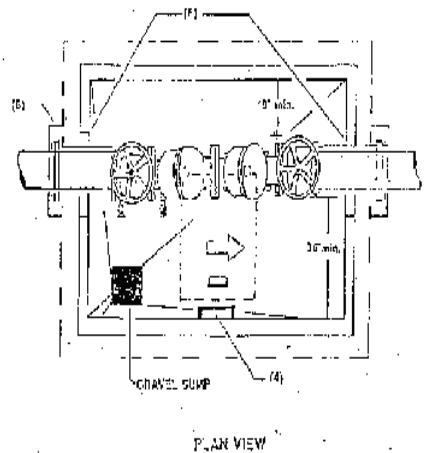
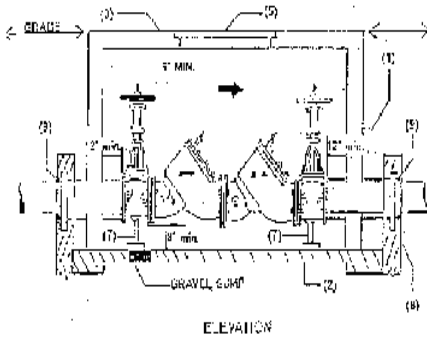
*******IMPORTANT:** See instructions and Illustration. Over>>>>>>

APPROVED ASSEMBLIES: AMES – 2000DCA / 2000SE (8”), **HERSEY** - No. 2,
CONBRACO 40-100 (3”) / 10A (4”) / 10C (6”) / 10E (8”) / 10G (10”)-03
FEBCO - 805YD-OS&Y-RW, **WATTS** - 007 / 709 / 770 –OS&Y-RW-A,
WILKINS – 950-OS&Y

These assemblies and **only these assemblies have been approved** as of 08/31/95. For approval of any additional assemblies contact the phone number listed below (2-1/2” size assemblies are not allowed to be installed).

PERMITS, PLAN APPROVALS, and **INSPECTIONS: MUST** be obtained and scheduled prior to work through the Dept of Public Works, Backflow-Prevention Unit by calling: **(770) 641-3715**.

VAULT SPECIFICATIONS
 (Minimum clearance dimensions)



TYPICAL VAULT INSTALLATION

- (1) Vault shall be pre-cast reinforced concrete.
- (2) Vault bottom 4” poured concrete slab, sloped to 4” X 4” gravel sump. Slab to be poured on 4” of No. 57 compacted stone.
- (3) Vault top shall be reinforced concrete with 36” X 36” access opening, offset to ladder side.
- (4) Access ladder doweled to wall and centered at access opening.
- (5) Hatch cover: Bilco-aluminum single model #J-4AL; or equal.
- (6) Vault inlet/outlet pipe openings to be sealed with grout or mortar, pipe must not support vault.
- (7) BFP assembly to be supported at three (3) points with pipe stand.
- (8) Thrust blocking (as required) and in accordance with CRDPW Dwg. No. A-1.
- (9) Thrust tie rod shall be bitumastic coated.
- (10) All pipe and pipe fittings shall be ductile iron.
- (11) Vault to be installed as close as practical to the property line of the premises and a Right of entry form legally executed and Forwarded to the BFP Coordinator.
- (12) The customer/owner shall furnish and have installed all materials.